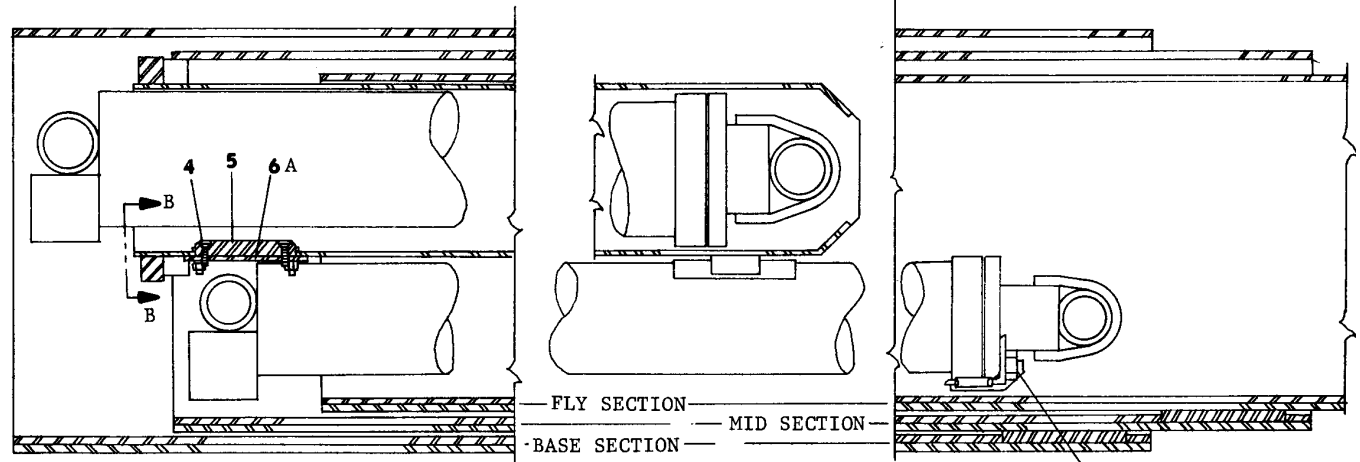
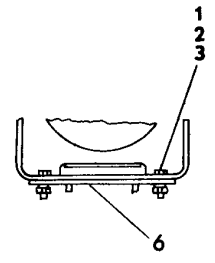


4 SECTION BOOM

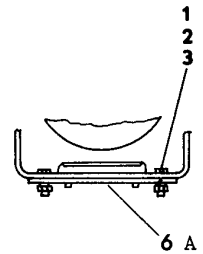
- C - FLY SECTION
- D - OUTER MID SECTION
- E - INNER MID SECTION
- F - BASE SECTION



3 SECTION BOOM



VIEW A-A



VIEW B-B